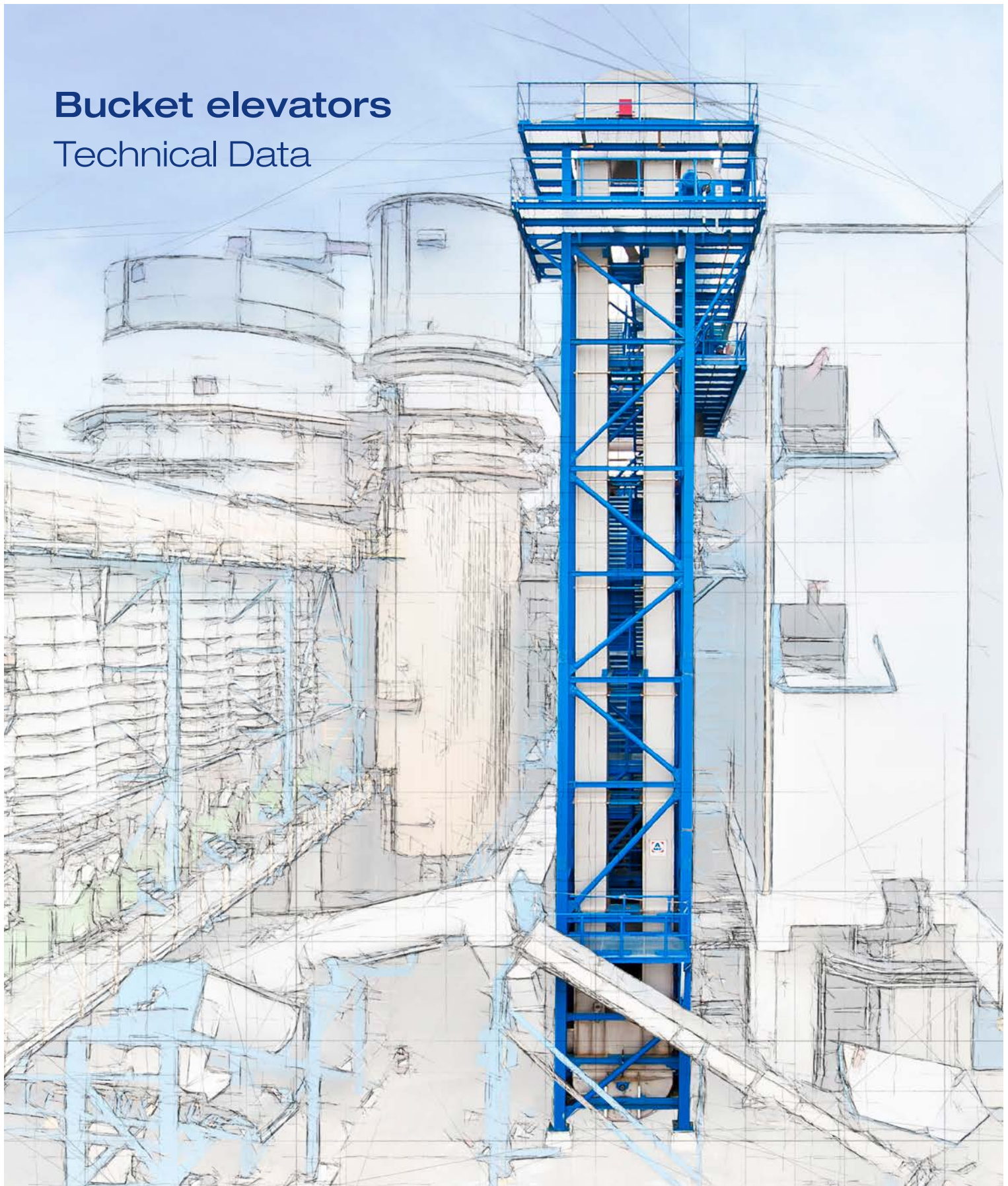


Bucket elevators

Technical Data



CONVEYORS
INDUSTRIAL SOLUTIONS

www.amf-bruns.com



Contents

Overview of belt bucket elevators	4
Overview of chain bucket elevators	5
Bucket elevators BW 160	6
Bucket elevators BW 200	7
Bucket elevators BW 250	8
Bucket elevators BW 315	9
Bucket elevators BW 400	10
Bucket elevators BW 500	11
Bucket elevators BW 630	12
Bucket elevators BW 800	13
Bucket elevators BW 1000	14
Bucket elevators BW 1250	15
Accessories and custom-made parts for bucket elevators	16 / 17



Belt bucket elevators

GBW 80 to GBW 1250

Technical Data

Materials:	S235JR (St37)/1.4301/1.4571
Gear types:	Spur gears, offset shaft gears and bevel gears
Drive types:	Direct drive
Gauge of vertical section steel sheet:	2 mm (up to 19 m distance between centres) to 5 mm (up to 60 m distance between centres)*
Shaft seals:	Braided seal
Bucket elevator foot:	Access doors/Inspection flaps/Movable inlet/Bucket conveyor/RPM monitoring/Tensioning unit
Bucket elevator head:	Inspection flaps/Misalignment monitor/Discharge plate adjustable
Containers:	DIN 15 231/DIN 15 232/DIN 15 233/DIN 15 234
Additional options:	Drive with spur gear motor and coupling/Platform/ATEX design/Rupture discs/Exhaustion/Level indicator/Slip monitoring/Special bucket/Special housing/Bucket conveyor with moving scoop/Gravitational tensioning/Separate backstop/Large heights on request

Becherform	Filling ratio %	Bucket width [mm]												
		80	100	125	160	200	250	315	400	500	630	800	1000	1250
Conveyor output [m3/h] at v = 1.3 m/sec														
medium deep DIN 15 233	100	o.r.	o.r.	o.r.	11,1	17,5	22	35,1	51	74,1	108	157	292,5	o.r.
	90	o.r.	o.r.	o.r.	10	15,7	19,8	31,6	45,9	66,7	97	141	263,3	o.r.
	75	o.r.	o.r.	o.r.	8,3	13,1	16,5	26,3	38,2	55,5	81	118	219,4	o.r.
deep DIN 15 234	100	o.r.	o.r.	o.r.	17,5	27,6	35,1	56,1	80,8	117	170	250	454,7	447,1
	90	o.r.	o.r.	o.r.	15,7	24,8	31,6	50,5	72,7	105,3	153	225	409,2	402,4
	75	o.r.	o.r.	o.r.	13,1	20,7	26,3	42	60,6	87,7	127,5	187,5	341	335,3
	max 90**	o.r.	o.r.	o.r.	38	55	94	106	152	216	302	426	591	740

o.r. = on request, * Gauge depends on place of installation, ** v=1.83 m/s, min. Bucket spacing

Conveyor output m3/h (theor.): The conveyor speed [v] and bucket spacing are assumed averages. They are determined in each case by product being conveyed and conveyor output. The actual bucket filling ratio to be chosen depends on the characteristics of the material being conveyed.



Chain bucket elevators with round link chains

KBW 160 to KBW 1000

Technical Data

Materials:	S235JR (St37)/1.4301/1.4571
Gear types:	Spur gears, offset shaft gears and bevel gears
Drive types:	Direct drive
Gauge of vertical section steel sheet:	2 mm (up to 19 m distance between centres) to 5 mm (up to 60 m distance between centres)*
Shaft seals:	Braided seal
Bucket elevator foot:	Access doors/Inspection flaps/Movable inlet/Bucket conveyor/RPM monitoring/Tensioning unit
Bucket elevator head:	Inspection flaps/Discharge plate adjustable
Containers:	DIN 15 231/DIN 15 232/DIN 15 233/DIN 15 234
Additional options:	Drive with spur gear motor and coupling/Platform/ATEX design/Rupture discs/Exhaustion/Level indicator/Slip monitoring/Special bucket/Special housing/Bucket conveyor with moving scoop/Gravitational tensioning/Separate backstop/Large heights on request

Bucket shape	Filling ratio %	Bucket width [mm]								
		160	200	250	315	400	500	630	800	1000
Conveyor output [m3/h] at v = 1.1 m/sec										
medium deep DIN 15 233	100	8	12,8	15,5	24,8	39,5	54,8	76	103	137
	90	7,2	11,5	14	22,3	35,5	49,3	68,4	92,7	123,3
	75	6	9,6	11,6	18,6	29,6	41	57	77,2	102,7
deep DIN 15 234	100	12,5	19,5	25	40	63	87	120	165	220
	90	11,2	17,5	22,5	36	56,6	78,3	108	148,5	198
	75	9,4	14,6	18,7	30	47,3	62,5	90	124	165
	max 90**	23	36	57	71	92	128	177	242	317

o.r. = on request, * Gauge depends on place of installation, ** v=1.3 m/s, min. Bucket spacing

Conveyor output m3/h (theor.): The conveyor speed [v] and bucket spacing are assumed averages. They are determined in each case by product being conveyed and conveyor output. The actual bucket filling ratio to be chosen depends on the characteristics of the material being conveyed.



Bucket elevator BW 160

Technical Data

Materials:	S235JR (St37)/1.4301
Traction mechanism:	Belt/Steel round link chain/Central chain
Bucket size:	160 - DIN 15234/1.5 litre
Bucket spacing:	400 mm
Gauge of vertical section steel sheet:	2 mm (up to 19 m distance between centres) to 3 mm (up to 30 m distance between centres)*
Sheet gauge of head:	4 mm
Sheet gauge, foot:	5 mm
Inlet I.W.:	180 mm x 180 mm
Outlet I.W.:	305 mm x 355 mm
Gear size SEW:	KAZ57/KAZ67/KAZ77/KAZ87
Drive bearing:	ø 50/60/70/80
Return chain bearing in foot:	ø 40
Driving drum:	ø 500
Return chain pulley:	ø 500
Belt misalignment monitoring:	4b Touch switch TS1V4CA
RPM monitoring:	4b with proximity switch Ni12U-EM18-AP6X/3D
Surface finish:	as per Data Sheet DIN 12944-5 C2 or C3, RAL 1015/5010/6011/7035/9001 satin gloss
Additional options at extra:	Drive with spur gear motor and coupling/Platform/ATEX design/Rupture discs/ Exhaustion/Level indicator/2. Inlet/Slip monitoring/Special bucket/Special housings/ Bucket conveyor with moving scoop/Gravitational tensioning/Separate backstop/ Heights over 30 m distance between centres on request

* Gauge depends on place of installation



Bucket elevator BW 200

Technical Data

Materials:	S235JR (St37)/1.4301
Traction mechanism:	Belt/Steel round link chain/Central chain
Bucket size:	200 - DIN 15234/2.36 litre
Bucket spacing:	400 mm
Gauge of vertical section steel sheet:	2 mm (up to 19 m distance between centres) to 3 mm (up to 30 m distance between centres)*
Sheet gauge of head:	4 mm
Sheet gauge, foot:	5 mm
Inlet I.W.:	220 mm x 220 mm
Outlet I.W.:	305 mm x 400 mm
Gear size SEW:	KAZ57/KAZ67/KAZ77/KAZ87
Drive bearing:	ø 50/60/70/80
Return chain bearing in foot:	ø 40
Driving drum:	ø 500
Return chain pulley:	ø 500
Belt misalignment monitoring:	4b Touch switch TS1V4CA
RPM monitoring:	4b with proximity switch Ni12U-EM18-AP6X/3D
Surface finish:	as per Data Sheet DIN 12944-5 C2 or C3, RAL 1015/5010/6011/7035/9001 satin gloss
Additional options at extra:	Drive with spur gear motor and coupling/Platform/ATEX design/Rupture discs/ Exhaustion/Level indicator/2. Inlet/Slip monitoring/Special bucket/Special housings/ Bucket conveyor with moving scoop/Gravitational tensioning/Separate backstop/ Heights over 30 m distance between centres on request

* Gauge depends on place of installation



Bucket elevator BW 250

Technical Data

Materials:	S235JR (St37)/1.4301
Traction mechanism:	Belt/Steel round link chain/Central chain
Bucket size:	250 - DIN 15234/4.6 litre
Bucket spacing:	500 mm
Gauge of vertical section steel sheet:	2 mm (up to 19 m distance between centres) to 3 mm (up to 30 m distance between centres)*
Sheet gauge of head:	5 mm
Sheet gauge, foot:	5 mm
Inlet I.W.:	270 mm x 270 mm
Outlet I.W.:	375 mm x 475 mm
Gear size SEW:	KAZ67/KAZ77/KAZ87
Drive bearing:	ø 50/60/70/80
Return chain bearing in foot:	ø 50
Driving drum:	ø 630
Return chain pulley:	ø 630
Belt misalignment monitoring:	4b Touch switch TS1V4CA
RPM monitoring:	4b with proximity switch Ni12U-EM18-AP6X/3D
Surface finish:	as per Data Sheet DIN 12944-5 C2 or C3, RAL 1015/5010/6011/7035/9001 satin gloss
Additional options at extra:	Drive with spur gear motor and coupling/Platform/ATEX design/Rupture discs/ Exhaustion/Level indicator/2. Inlet/Slip monitoring/Special bucket/Special housings/ Bucket conveyor with moving scoop/Gravitational tensioning/Separate backstop/ Heights over 30 m distance between centres on request

* Gauge depends on place of installation



Bucket elevator BW 315

Technical Data

Materials:	S235JR (St37)/1.4301
Traction mechanism:	Belt/Steel round link chain/Central chain
Bucket size:	315 - DIN 15234/6 litre
Bucket spacing:	500 mm
Gauge of vertical section steel sheet:	3 mm (up to 19 m distance between centres) to 4 mm (up to 45 m distance between centres)*
Sheet gauge of head:	5 mm
Sheet gauge, foot:	5 mm
Inlet I.W.:	335 mm x 335 mm
Outlet I.W.:	425 mm x 560 mm
Gear size SEW:	KAZ77/KAZ87/KAZ97
Drive bearing:	ø 60/70/80/90
Return chain bearing in foot:	ø 50
Driving drum:	ø 630
Return chain pulley:	ø 630
Belt misalignment monitoring:	4b Touch switch TS1V4CA
RPM monitoring:	4b with proximity switch Ni12U-EM18-AP6X/3D
Surface finish:	as per Data Sheet DIN 12944-5 C2 or C3, RAL 1015/5010/6011/7035/9001 satin gloss
Additional options at extra:	Drive with spur gear motor and coupling/Platform/ATEX design/Rupture discs/ Exhaustion/Level indicator/2. Inlet/Slip monitoring/Special bucket/Special housings/ Bucket conveyor with moving scoop/Gravitational tensioning/Separate backstop/ Heights over 45 m distance between centres on request

* Gauge depends on place of installation



Bucket elevator BW 400

Technical Data

Materials:	S235JR (St37)/1.4301
Traction mechanism:	Belt/Steel round link chain/Central chain
Bucket size:	400 - DIN 15234/9.5 litre
Bucket spacing:	550 mm
Gauge of vertical section steel sheet:	3 mm (up to 19 m distance between centres) to 4 mm (up to 45 m distance between centres)*
Sheet gauge of head:	6 mm
Sheet gauge, foot:	6 mm
Inlet I.W.:	425 mm x 425 mm
Outlet I.W.:	555 mm x 670 mm
Gear size SEW:	KAZ87/KAZ97/KAZ107
Drive bearing:	ø 80/90/100/110
Return chain bearing in foot:	ø 70
Driving drum:	ø 710
Return chain pulley:	ø 710
Belt misalignment monitoring:	4b Touch switch TS1V4CA
RPM monitoring:	4b with proximity switch Ni12U-EM18-AP6X/3D
Surface finish:	as per Data Sheet DIN 12944-5 C2 or C3, RAL 1015/5010/6011/7035/9001 satin gloss
Additional options at extra:	Drive with spur gear motor and coupling/Platform/ATEX design/Rupture discs/ Exhaustion/Level indicator/2. Inlet/Slip monitoring/Special bucket/Special housings/ Bucket conveyor with moving scoop/Gravitational tensioning/Separate backstop/ Heights over 45 m distance between centres on request

* Gauge depends on place of installation



Bucket elevator BW 500

Technical Data

Materials:	S235JR (St37)/1.4301
Traction mechanism:	Belt/Steel round link chain/Central chain
Bucket size:	500 - DIN 15234/15 litre
Bucket spacing:	600 mm
Gauge of vertical section steel sheet:	3 mm (up to 19 m distance between centres) to 4 mm (up to 45 m distance between centres)*
Sheet gauge of head:	6 mm
Sheet gauge, foot:	6 mm
Inlet I.W.:	525 mm x 525 mm
Outlet I.W.:	490 mm x 800 mm
Gear size SEW:	KAZ97/KAZ107/KAZ127
Drive bearing:	ø 90/100/110/115/125
Return chain bearing in foot:	ø 80
Driving drum:	ø 800
Return chain pulley:	ø 800
Belt misalignment monitoring:	4b Touch switch TS1V4CA
RPM monitoring:	4b with proximity switch Ni12U-EM18-AP6X/3D
Surface finish:	as per Data Sheet DIN 12944-5 C2 or C3, RAL 1015/5010/6011/7035/9001 satin gloss
Additional options at extra:	Drive with spur gear motor and coupling/Platform/ATEX design/Rupture discs/ Exhaustion/Level indicator/2. Inlet/Slip monitoring/Special bucket/Special housings/ Bucket conveyor with moving scoop/Gravitational tensioning/Separate backstop/ Heights over 45 m distance between centres on request

* Gauge depends on place of installation



Bucket elevator BW 630

Technical Data

Materials:	S235JR (St37)/1.4301
Traction mechanism:	Belt/Steel round link chain/Central chain
Bucket size:	630 - DIN 15234/23.6 litre
Bucket spacing:	650 mm
Gauge of vertical section steel sheet:	3 mm (up to 19 m distance between centres) to 4 mm (up to 45 m distance between centres)*
Sheet gauge of head:	6 mm
Sheet gauge, foot:	6 mm
Inlet I.W.:	180 mm x 180 mm
Outlet I.W.:	540 mm x 1000 mm
Gear size SEW:	KAZ97/KAZ107/KAZ127
Drive bearing:	∅ 100/110/115/125/135
Return chain bearing in foot:	∅ 90
Driving drum:	∅ 900
Return chain pulley:	∅ 900
Belt misalignment monitoring:	4b Touch switch TS1V4CA
RPM monitoring:	4b with proximity switch Ni12U-EM18-AP6X/3D
Surface finish:	as per Data Sheet DIN 12944-5 C2 or C3, RAL 1015/5010/6011/7035/9001 satin gloss
Additional options at extra:	Drive with spur gear motor and coupling/Platform/ATEX design/Rupture discs/ Exhaustion/Level indicator/2. Inlet/Slip monitoring/Special bucket/Special housings/ Bucket conveyor with moving scoop/Gravitational tensioning/Separate backstop/ Heights over 45 m distance between centres on request

* Gauge depends on place of installation

Bucket elevator BW 800

Technical Data

Materials:	S235JR (St37)/1.4301
Traction mechanism:	Belt/Steel round link chain/Central chain
Bucket size:	800 - DIN 15234/37.5 litre
Bucket spacing:	700 mm
Gauge of vertical section steel sheet:	4 mm (up to 19 m distance between centres) to 5 mm (up to 60 m distance between centres)*
Sheet gauge of head:	8 mm
Sheet gauge, foot:	8 mm
Inlet I.W.:	830 mm x 830 mm
Outlet I.W.:	625 mm x 1200 mm
Gear size SEW:	KAZ107/KAZ127/KAZ157
Drive bearing:	∅ 110/115/125/135/140
Return chain bearing in foot:	∅ 100
Driving drum:	∅ 1000
Return chain pulley:	∅ 1000
Belt misalignment monitoring:	4b Touch switch TS1V4CA
RPM monitoring:	4b with proximity switch Ni12U-EM18-AP6X/3D
Surface finish:	as per Data Sheet DIN 12944-5 C2 or C3, RAL 1015/5010/6011/7035/9001 satin gloss
Additional options at extra:	Drive with spur gear motor and coupling/Platform/ATEX design/Rupture discs/ Exhaustion/Level indicator/2. Inlet/Slip monitoring/Special bucket/Special housings/ Bucket conveyor with moving scoop/Gravitational tensioning/Separate backstop/ Heights over 60 m distance between centres on request

* Gauge depends on place of installation



Bucket elevator BW 1000

Technical Data

Materials:	S235JR (St37)/1.4301
Traction mechanism:	Belt/Steel round link chain/Central chain
Bucket size:	1000 - DIN 15234/60 litre
Bucket spacing:	800 mm
Gauge of vertical section steel sheet:	4 mm (up to 19 m distance between centres) to 5 mm (up to 60 m distance between centres)*
Sheet gauge of head:	10 mm
Sheet gauge, foot:	10 mm
Inlet I.W.:	1040 mm x 1040 mm
Outlet I.W.:	630 mm x 1300 mm
Gear size SEW:	KAZ107/KAZ127/KAZ157
Drive bearing:	ø 110/115/125/135/140
Return chain bearing in foot:	ø 110
Driving drum:	ø 1250
Return chain pulley:	ø 1250
Belt misalignment monitoring:	4b Touch switch TS1V4CA
RPM monitoring:	4b with proximity switch Ni12U-EM18-AP6X/3D
Surface finish:	as per Data Sheet DIN 12944-5 C2 or C3, RAL 1015/5010/6011/7035/9001 satin gloss
Additional options at extra:	Drive with spur gear motor and coupling/Platform/ATEX design/Rupture discs/ Exhaustion/Level indicator/2. Inlet/Slip monitoring/Special bucket/Special housings/ Bucket conveyor with moving scoop/Gravitational tensioning/Separate backstop/ Heights over 60 m distance between centres on request

* Gauge depends on place of installation

Bucket elevator BW 1250

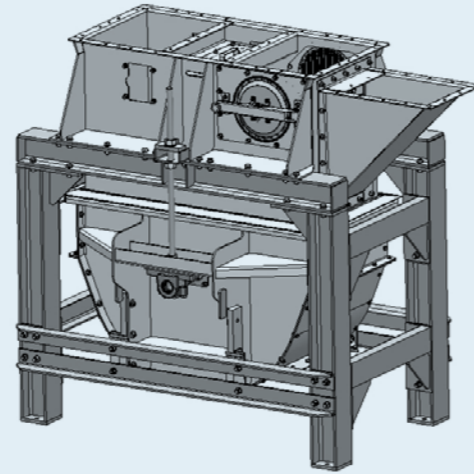
Technical Data

Materials:	S235JR (St37)/1.4301
Traction mechanism:	Belt/Steel round link chain/Central chain
Bucket size:	2 x 630/projection as 800, similar to DIN 15234/2 x 29.5 liters
Bucket spacing:	650 mm
Gauge of vertical section steel sheet:	4 mm (up to 19 m distance between centres) to 5 mm (up to 60 m distance between centres)*
Sheet gauge of head:	10 mm
Sheet gauge, foot:	10 mm
Inlet I.W.:	830 mm x 1290 mm
Outlet I.W.:	630 mm x 1550 mm
Gear size SEW:	KAZ107/KAZ127/KAZ157
Drive bearing:	ø 110/115/125/135/140
Return chain bearing in foot:	ø 100
Driving drum:	ø 1000
Return chain pulley:	ø 1000
Belt misalignment monitoring:	4b Touch switch TS1V4CA
RPM monitoring:	4b with proximity switch Ni12U-EM18-AP6X/3D
Surface finish:	as per Data Sheet DIN 12944-5 C2 or C3, RAL 1015/5010/6011/7035/9001 satin gloss
Additional options at extra:	Drive with spur gear motor and coupling/Platform/ATEX design/Rupture discs/ Exhaustion/Level indicator/2. Inlet/Slip monitoring/Special bucket/Special housings/ Bucket conveyor with moving scoop/Gravitational tensioning/Separate backstop/ Heights over 60 m distance between centres on request

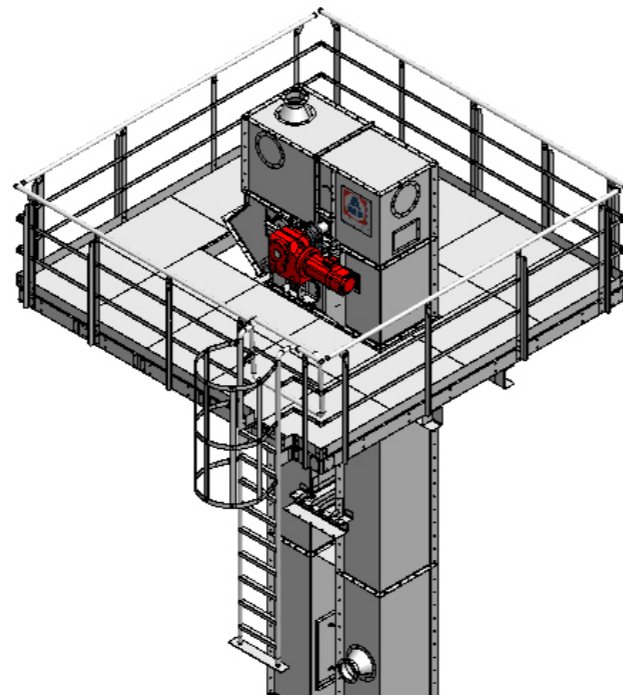
* Gauge depends on place of installation

Accessories and custom-made parts for elevators

**Bucket conveyor with
moving scoop**
for remnant-free cleaning
out of moving scoop



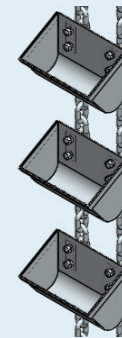
**Bucket elevator
head platform**
Self-supporting, can be
mounted anywhere on
the elevator towers



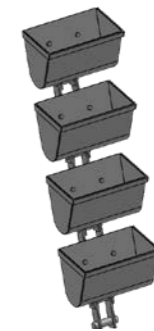
DIN-Bucket with belt
for belt bucket elevators
(from size 160)



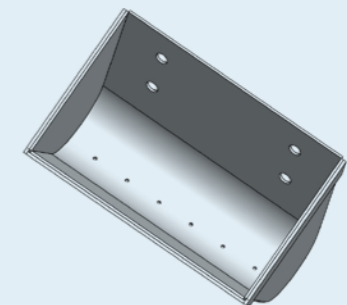
**DIN-Bucket with
steel round link chain**
for chain bucket elevators
(from size 160)



**Rex-Bucket
with Rex chain**
for central chain bucket elevators
(from size 315)



**Special buckets
with ventilation holes**
for fine, compact goods
such as cement





AMF-Brunns Service World: First class – including Service.

Discover the AMF-Brunns Service World!

Reliable, high-performance technology is a prerequisite for economic and efficient production. To make sure that you can always rely on your plant, we not only supply first-class technology, but also a customized service portfolio. We want you to be able to focus on the essentials, and make optimum use of the potentials provided by your investments.

This includes expert installation and the personal instruction of your employees: In addition, we provide an efficient service concept that reduces downtimes to a minimum, ensures optimized production processes, and guarantees a long service life for your plant.

With AMF-Brunns you can rely on a partner who is always at your side, to ensure lasting and safe plant operation. That is why the service we provide is not “off the shelf”, but is individually matched to your needs. This brochure provides all the relevant information and the contact data for your direct partner.

We will be happy to answer any further questions you might have regarding our services – simply contact us.!

We are always within easy reach

With AMF-Brunns, you are putting your trust in a partner who is always at your side to ensure long-term, safe plant operation. Take advantage of the expertise and experience of our staff. On your behalf, they watch out for quality, ensure fast

order processing and keep your budget in mind at all times. So you always get the best solution from us - safe, sustainable and economical.

First-class service right from the start

Our aim is your satisfaction: it starts with planning but does not stop after commissioning. That's why we are constantly giving our employees technical training, to be able to provide you with optimum service in any situation. By ensuring professional installation and commissioning, our chief erec-

tors, fitters and engineers ensure optimal settings of your machinery and after that are always available for advice and practical help - for instance in matters of plant optimization and maintenance.

Spare parts and maintenance

By using AMF-Brunns original parts you are always at the cutting edge of technology. Our special maintenance packages also ensure a high level of operational readiness of your plant. AMF Bruns maintains its own stock of spare parts - this way we can guarantee constant availability and speedy

delivery, and remedy almost any technical problem without losing a great deal of time. It goes without saying that you have the full manufacturer's warranty on all our replacement parts. We will be pleased to advise you!

Service Hotline: + 49 (0) 44 89 - 72 7100

More information is available at www.amf-foerderanlagen.de/service/ or send us an e-mail: service@amf-bruns.de

Please feel free to contact us.



AMF-Bruns GmbH & Co. KG · Hauptstraße 101 · 26689 Apen · Germany
Phone: +49 (0)44 89 - 72 7100 · info@amf-bruns.de
www.amf-bruns.com